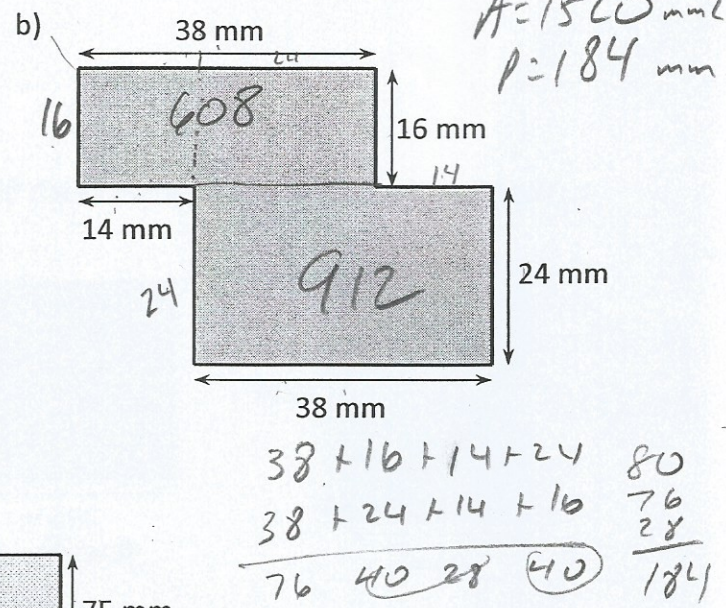
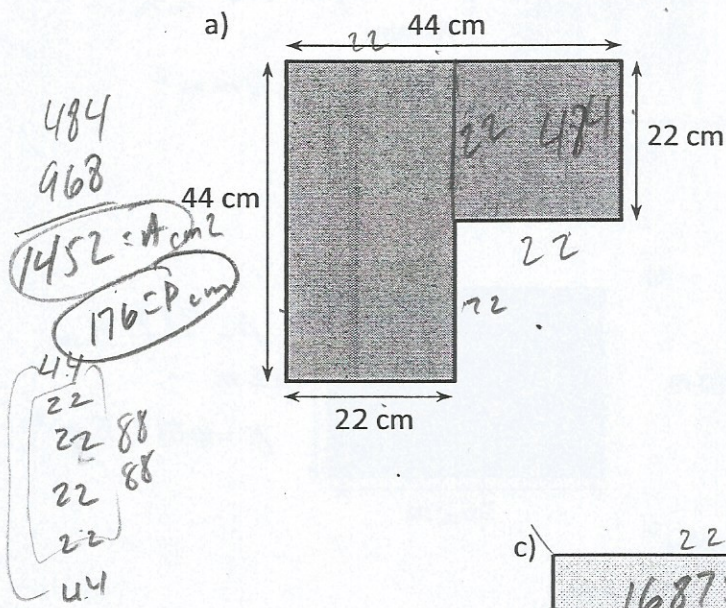
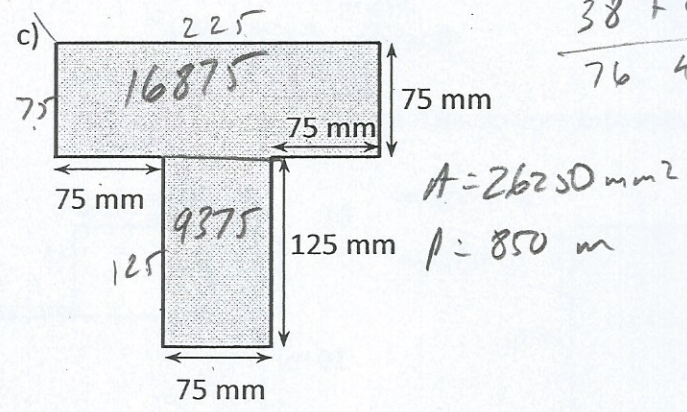


6. Work out the perimeter and area of each shape.

W



Handwritten calculations for (c):  
 $225 + 75 + 75 + 125 + 75$   
 $+ 125 + 75 + 75$   
 $300$   
 $200$   
 $200$   
 $150$



**Reflection**

What does the word perimeter mean? How do you find the perimeter of a shape? What units are used for perimeters?

How do you find the area of a rectangle? What units are used for areas?

Describe how you would find the area of these shapes.

